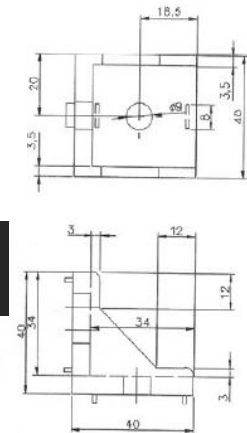
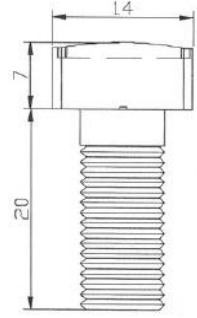


**GUSSET
ELEMENT**

Material	Pressure Die-Cast Aluminium
Weight	0.05 kg/m
Remarks	For simple, right angled & power-lock connection. Used with hammer head screw M8x20mm.

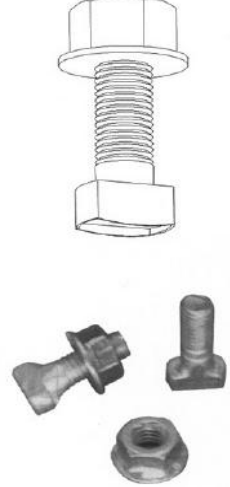
**20x20,30x30,
40x40**

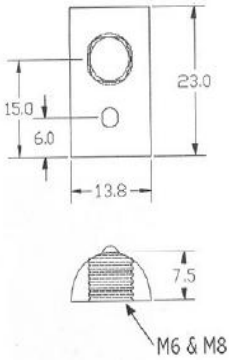




**HAMMER
HEAD (T-BOLT)
M8x20**

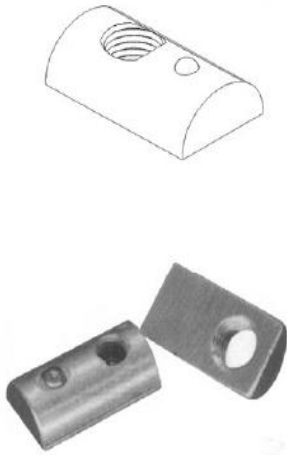
Material	Galvanised Steel
Remarks	Threading cutting screw for slot 8 profile. Used with gussett element 40x40mm



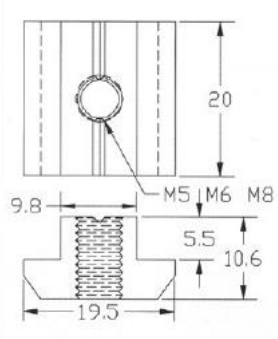
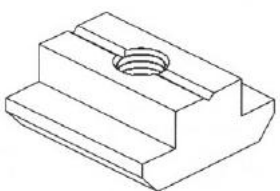
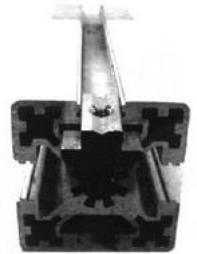
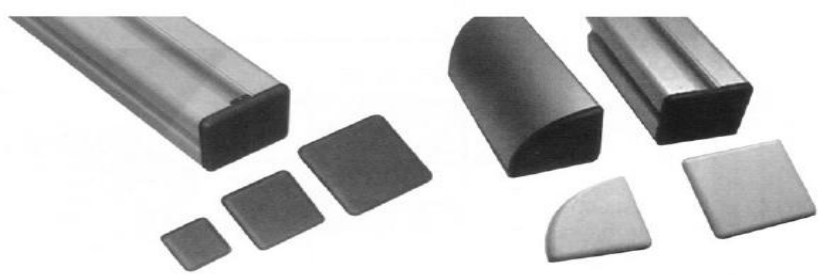
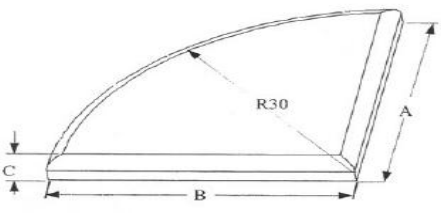
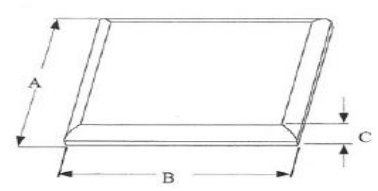


**HALF
ROUND NUT
M5
M6
M8**

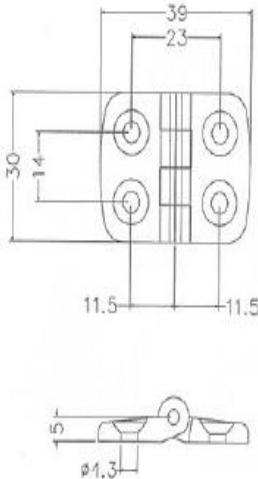
Material	Galvanised Steel
Weight	0.012 kg
Remarks	Universally usable mounting element fits into the profile groove at any desired point by means of Spring thrust piece.



SLOT BLOCK	
	M4 M5 M6
Material	Zinc Plated Steel
Weight	0.009 kg
Remarks	Sliding block with large supporting surface to hold high forces.

END CAP	
Material	Polyamid
DIMENSION(AxBxC)	
	20x20x4
	30x30x4
	40x40xR30x4
	40x40x4
	40x80x4
	80x80x4
	45x45x4
	45x60x4
	45x90x4
	60x60x4
	90x90x4



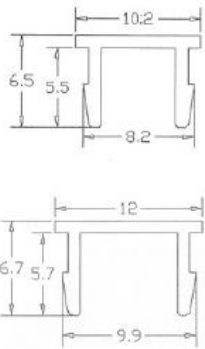


HINGE

Material	Polyamid
Weight	0.0075 kg
Remarks	Supplied with 4 c' sunk M4x8 4pcs. Lozenge Nut M4-6.

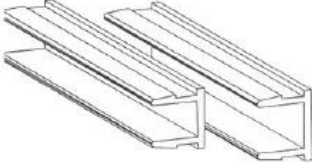

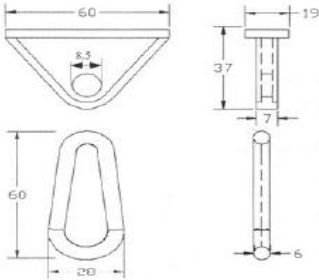
To hinge on 20x20 profile.

**20x20, 30x30,
30x40, 40x40,
45x45 Profile**

BLACK STRIP SLOT 8 SLOT 10

Material	PVC extrude
Weight	0.04 kg/m

TOOL SLIDER WITH SNAP HOOK

Material	Nylon Black
Weight	0.01 kg
Material	EN3B
Weight	0.03 kg
Remarks	For use in overhanging over profile construction.

