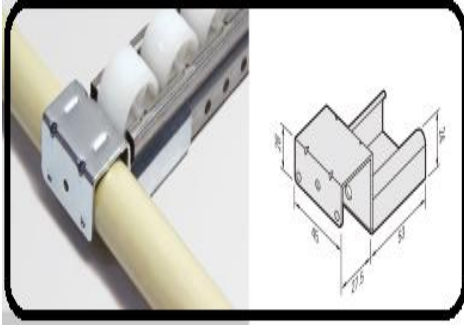
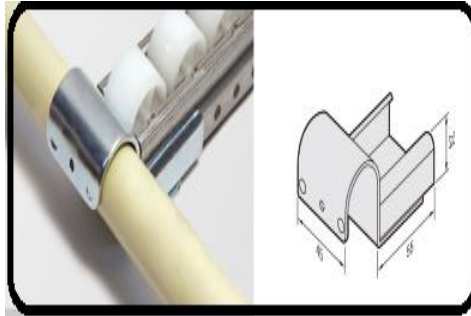


# PLACON SUPPORT METAL TYPE 40

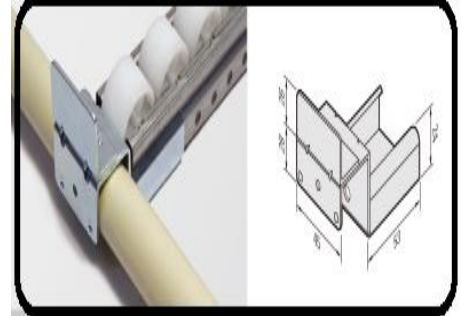
[PLACON SUPPORT METAL A ]



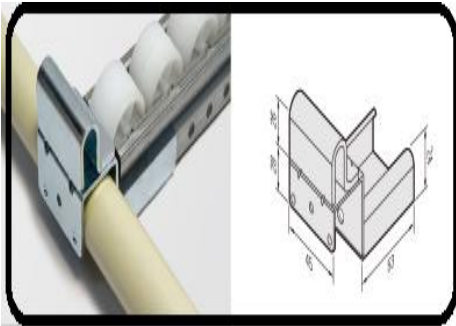
[PLACON SUPPORT METAL A1 ]



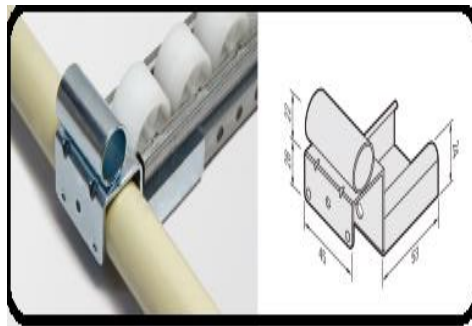
[PLACON SUPPORT METAL B ]



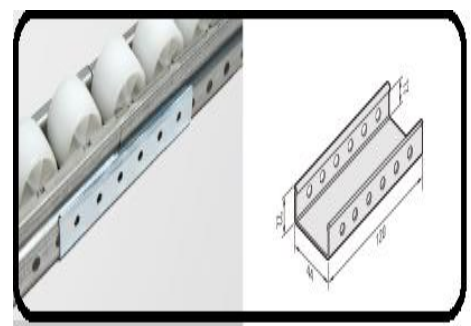
[PLACON SUPPORT METAL B2 ]



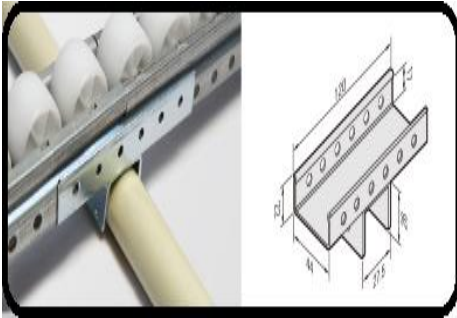
[PLACON SUPPORT METAL B3 ]



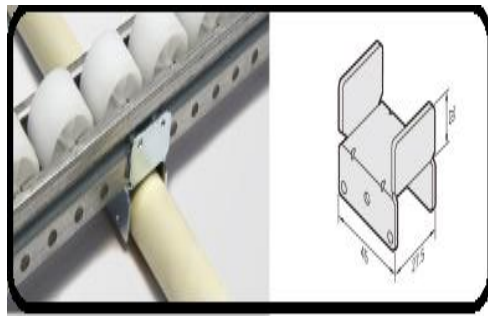
[PLACON SUPPORT METAL C ]



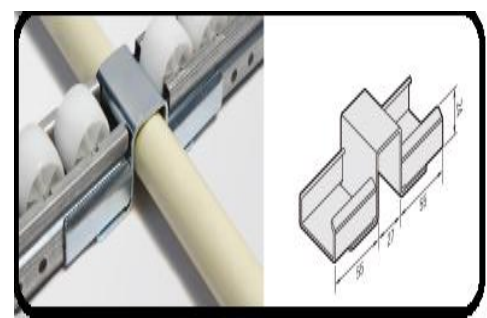
[PLACON SUPPORT METAL D ]



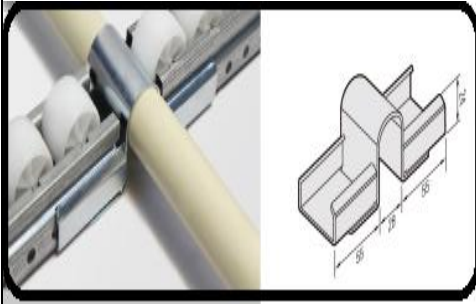
[PLACON SUPPORT METAL D1 ]



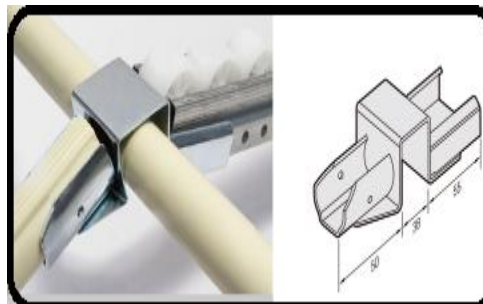
[PLACON SUPPORT METAL E ]



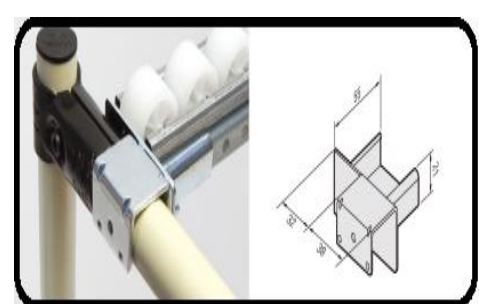
[PLACON SUPPORT METAL E1 ]



[PLACON SUPPORT METAL H ]



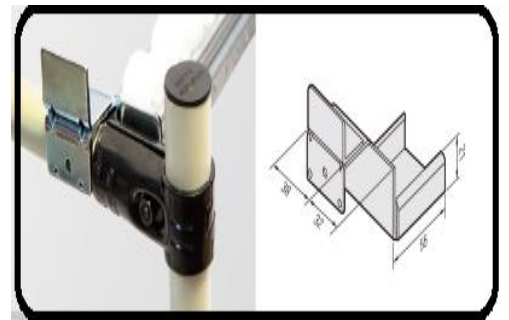
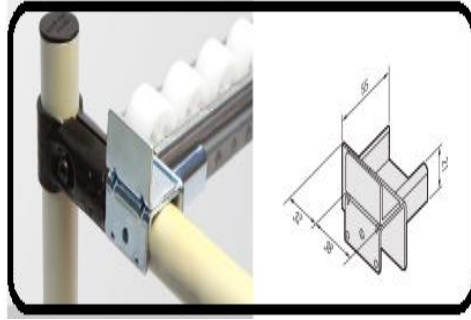
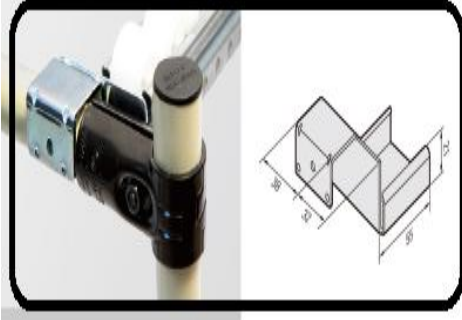
[PLACON SUPPORT METAL NAL ]



[PLACON SUPPORT METAL NAR ]

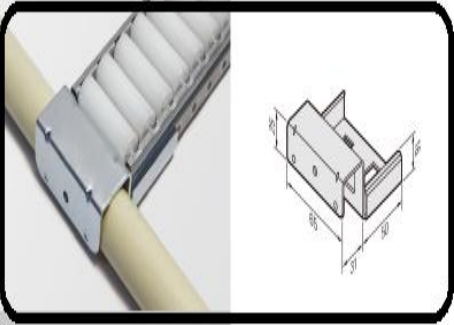
[PLACON SUPPORT METAL NBL ]

[PLACON SUPPORT METAL NBR ]

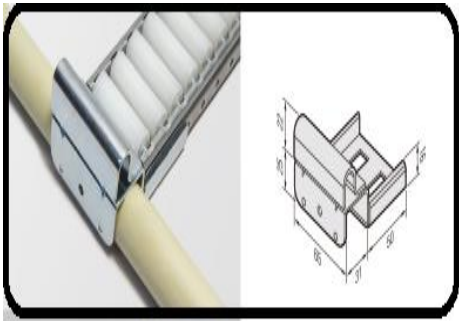


# PLACON SUPPORT METAL TYPE 60

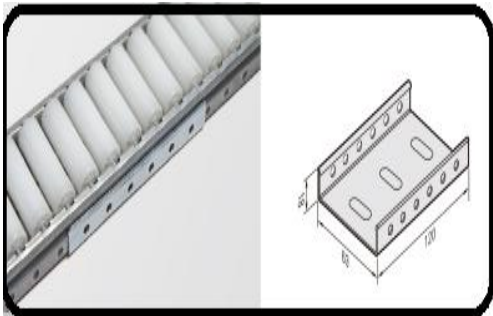
[PLACON SUPPORT METAL A ]



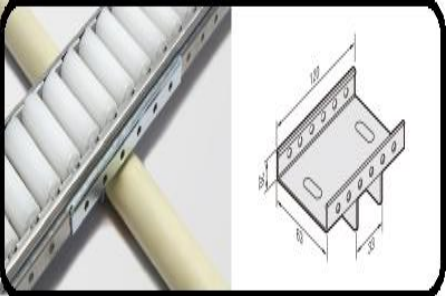
[PLACON SUPPORT METAL B ]



[PLACON SUPPORT METAL C ]

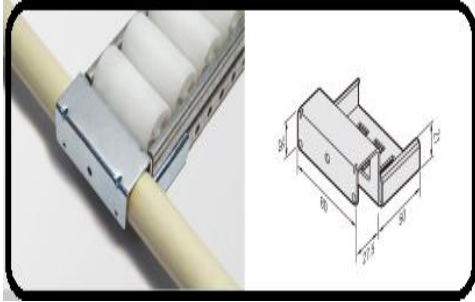


[PLACON SUPPORT METAL D ]

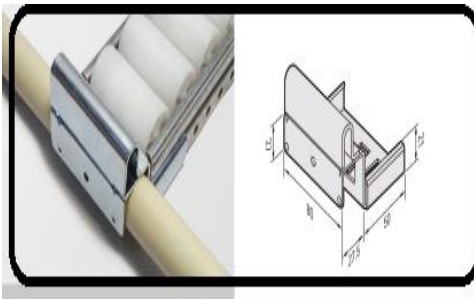


# PLACON SUPPORT METAL TYPE 80

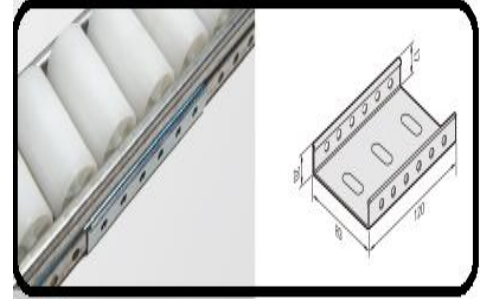
[PLACON SUPPORT METAL A ]



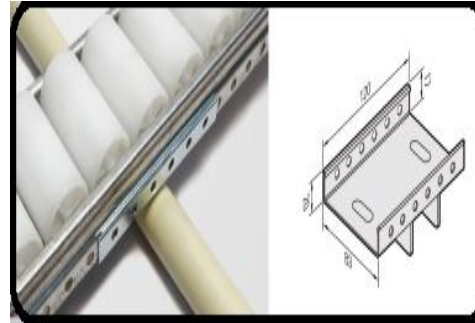
[PLACON SUPPORT METAL B ]



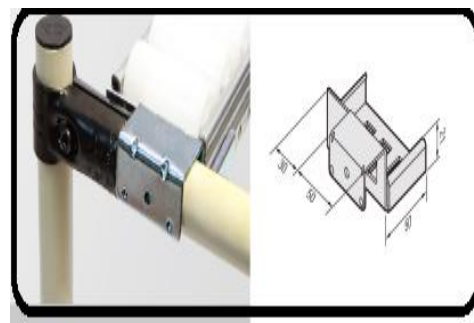
[PLACON SUPPORT METAL C ]



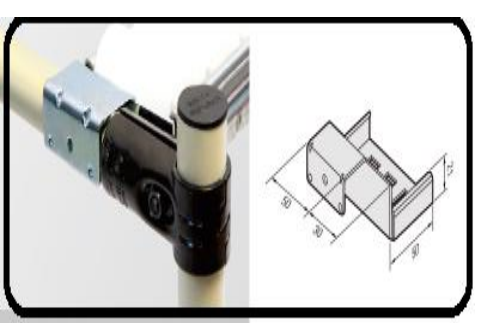
[PLACON SUPPORT METAL D ]



[PLACON SUPPORT METAL NAL ]



[PLACON SUPPORT METAL NAR ]



[PLACON SUPPORT METAL NBL ] [PLACON SUPPORT METAL NBR ]

